

PARTS BOOK GG1700



GG1700

HYDRAULIC EXCAVATOR

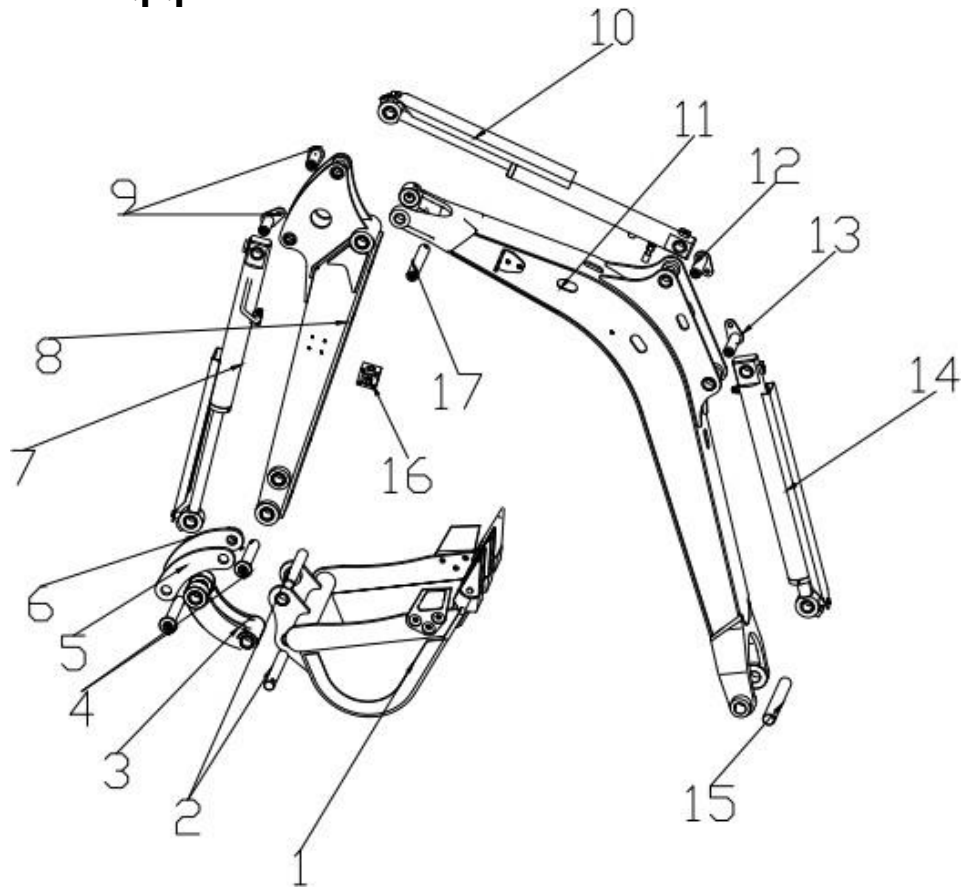


CONTENTS

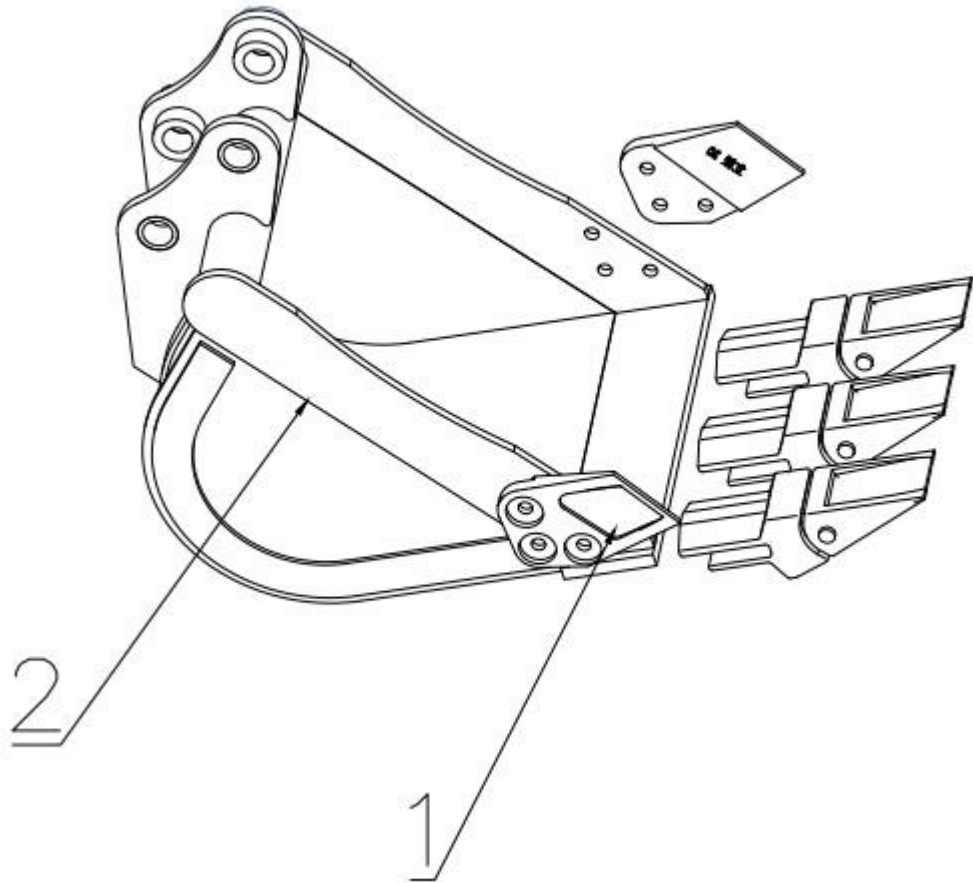
No.	Description	Page
1.1wroking device assembly	P1
1.2excavator	P2
1.3 bucket cylinder assembly	P3
1.4bucket rpd cylinder assembly	P4
1.5 arm cylinder assembly.	P5
2.1 the appearance of the discassembly	p6
3.1 the internal assembly plater	p7
3.2 Seat bracket assembly	P8
3.3Power assembly	p9
3.4Aeticulated assembly	P10
3.5 Side sway cylinder assembl	P11
4.1chassis assembly	P12
4.2 Bulldozer cylinder assembly	P13
4.3 Telescopic cylinder assembly	P14

5. Excavator envelope diagram	P15
6.1Bucket (auxiliary equipment)	p16
6.2Mud hopper (auxiliary equipment)	p17
6.3Lnclined bucket (auxiliary equipemnt)	p18
6.4Rake (auxiliary equipemnt)	p19
6.5Rotary drilling (auxiliary equipemnt)	p20
6.6Change quickly (auxiliary equipemnt)	p21
6.7Wood gripper (auxiliary equipemnt)	p22

1 1

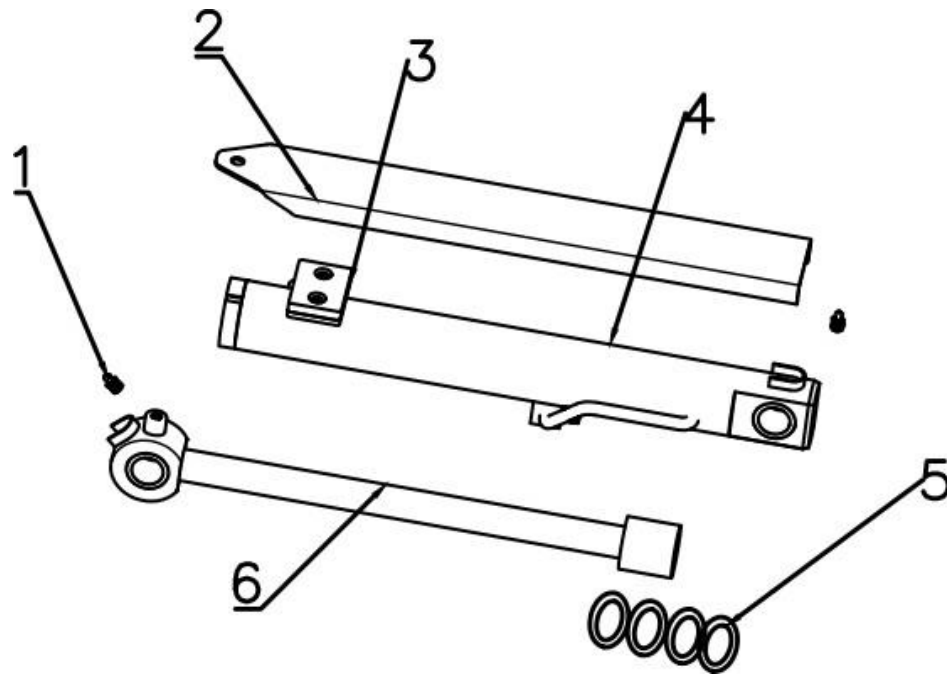


1.2



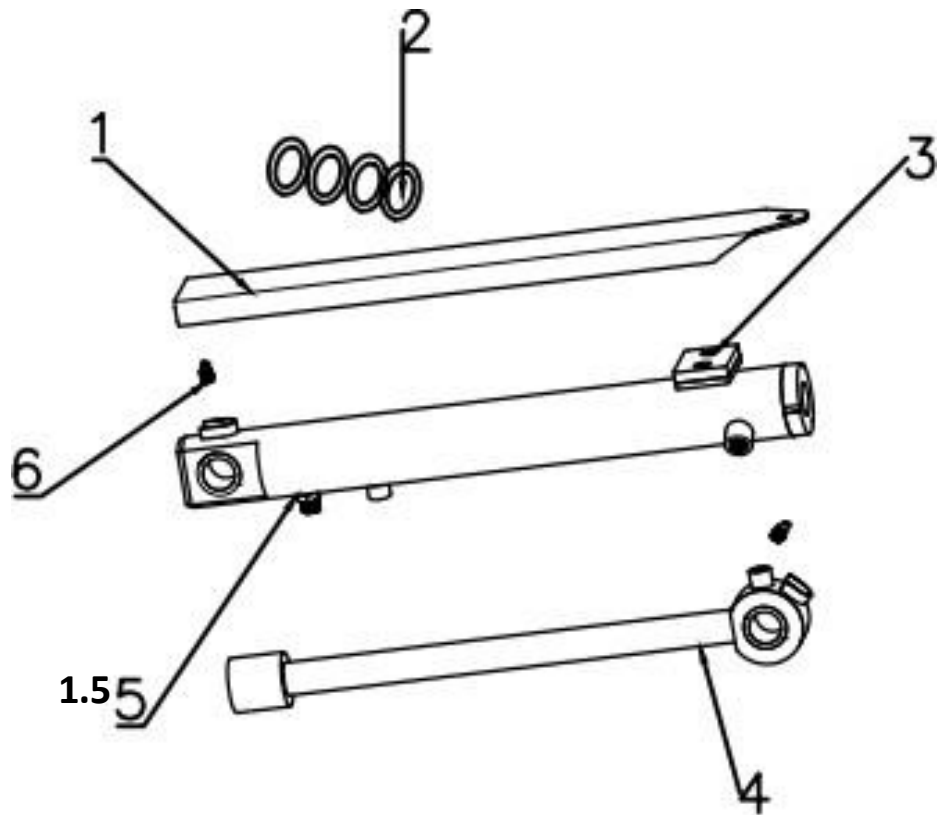
REF NO.	Part NO .	Part Name	Q/TY	Remarks
1	LP0112013245	Bucket	1	
2	LP0107021343	Bucket connecting rod	2	
3	LP0112013160	Casting connecting rod	1	
4	LP0107021344	Bucket cylinder/rocker	2	
5	LP0112013173	Joystick (single board)	1	
6	LP0112013174	Joystick (with hole)	1	
7	LP0115010026	Bucket cylinder	1	
8	LP0112013164	Stick	1	
9	LP0107021345	Front arm cylinder Rear	2	
10	LP0115010033	Stick Cylinder	1	
11	LP0112013163	Boom	1	
12	LP0107021339	Rear fixed shaft of bucket	1	
13	LP0107021339	Front fixed shaft of boom	1	
14	LP0115010037	Boom Cylinder	1	
15	LP0107021336	Boomrear fixed shaft	1	
16	LP011502127	Three-way ball valve	2	
17	LP0107021337	Boom front fork fixed shaft	1	

1.3

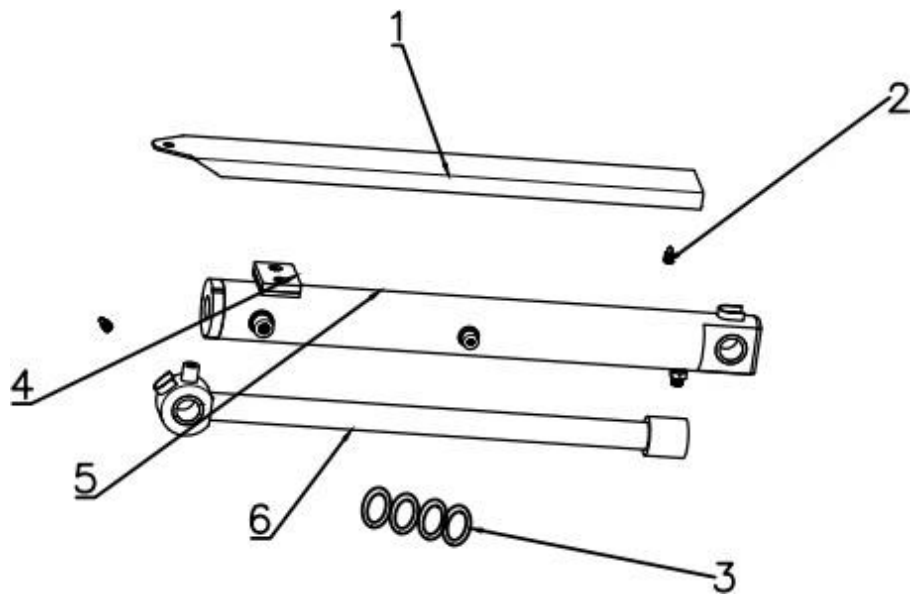


REF No.	Part No.	Part Name	Quantity	Remarks
1	LP0116010092	Grease fitting	2	
2	LP0112010552	Cylinder guard plate	1	
3	LP011109015	Nylon Block	1	
4	LP0115010123	Cylinder body	1	
5	LP0116030491	Sealing ring	4	
6	LP0115010122	Cylinder rod	1	

1.4

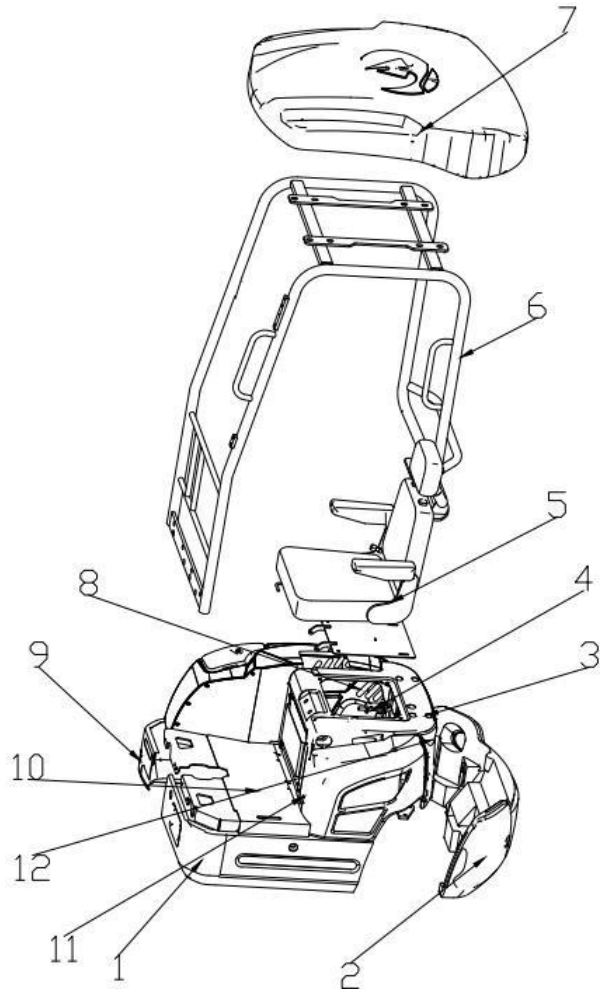


REF No.	Part No.	Part Name	Quantity	Remarks
1	LP0112010555	Cylinder guard plate	1	
2	LP0116030491	Sealing ring	4	
3	LP011109015	Nylon Block	1	
4	LP0115010122	Cylinder rod	1	
5	LP0115010121	Cylinder body	1	
6	LP0116010092	Grease fitting	2	



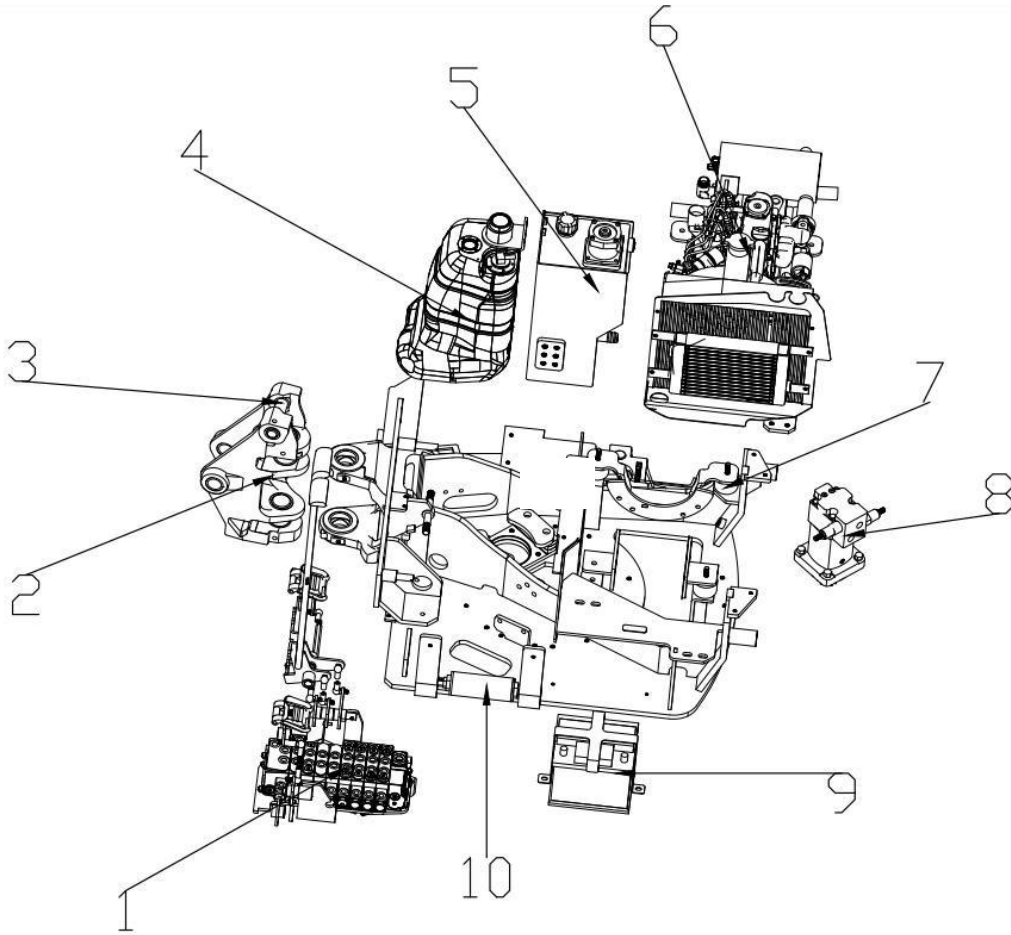
REF No.	Part No.	Part Name	Quantity	Remarks
1	LP0112010116	Cylinder guard plate	1	
2	LP0116010092	Grease fitting	2	
3	LP0116030490	Sealing ring	4	
4	LP011109015	Nylon Block	1	
5	LP0115010119	Cylinder body	1	
6	LP0115010120	Cylinder rod	1	

2.1



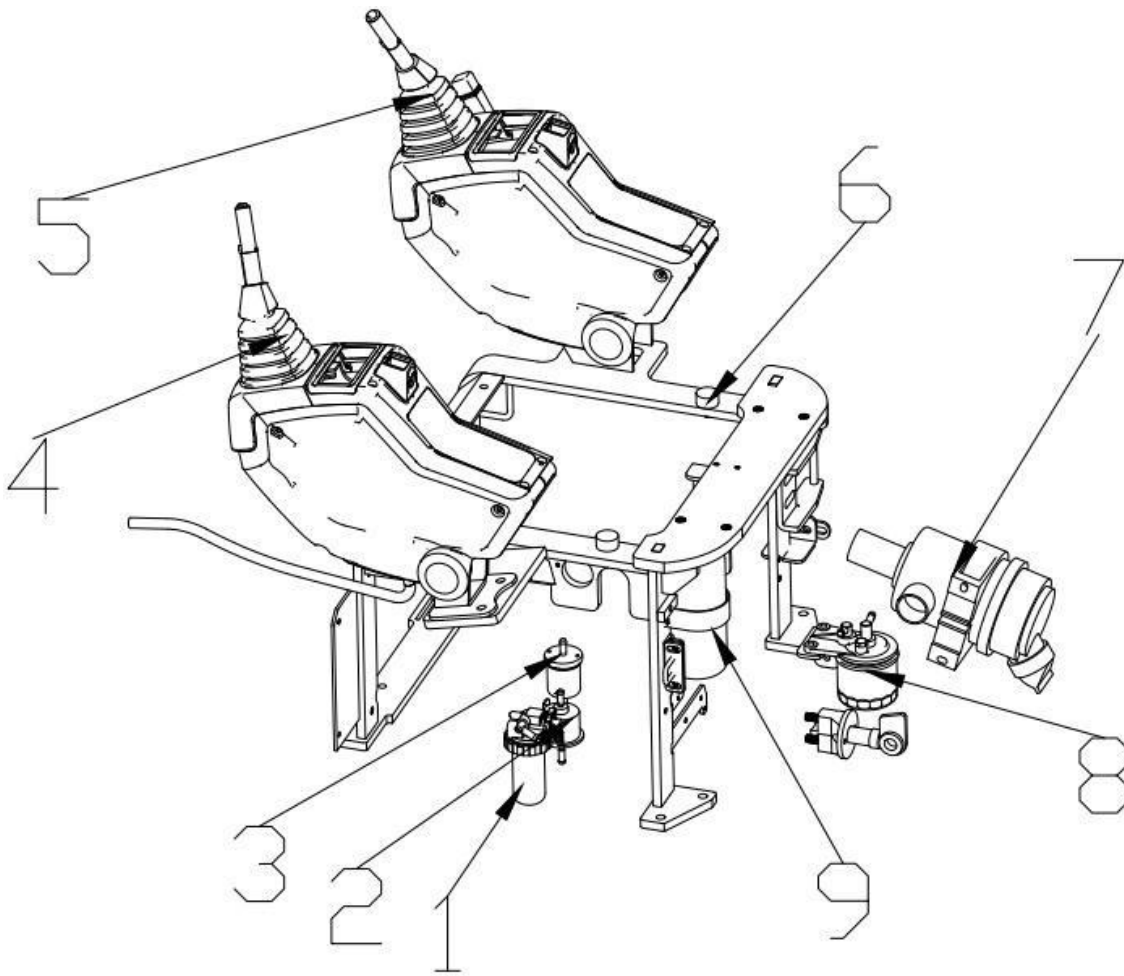
REF No.	Part No.	Part Name	Quantity	Remarks
1	LP0112013171	Left lower shield	1	
2	LP0112013172	Counterweight	1	
3	LP0112013168	Seat cover	1	
4	LP0111080090	Seat cover latch	1	
5	LP0108040007	Seats	1	
6	LP0108020023	Kubota four-leg ceiling frame	1	
7	LP0108020004	Plastic roof cover	1	
8	LP0112013167	Upper right shield	1	
9	LP0112013166	Left lower shield	1	
10	LP0111080081	Pedals	1	
11	LP0112013167	Upper right shield	1	
12	LP0112013169	Rear guard	1	

3.1



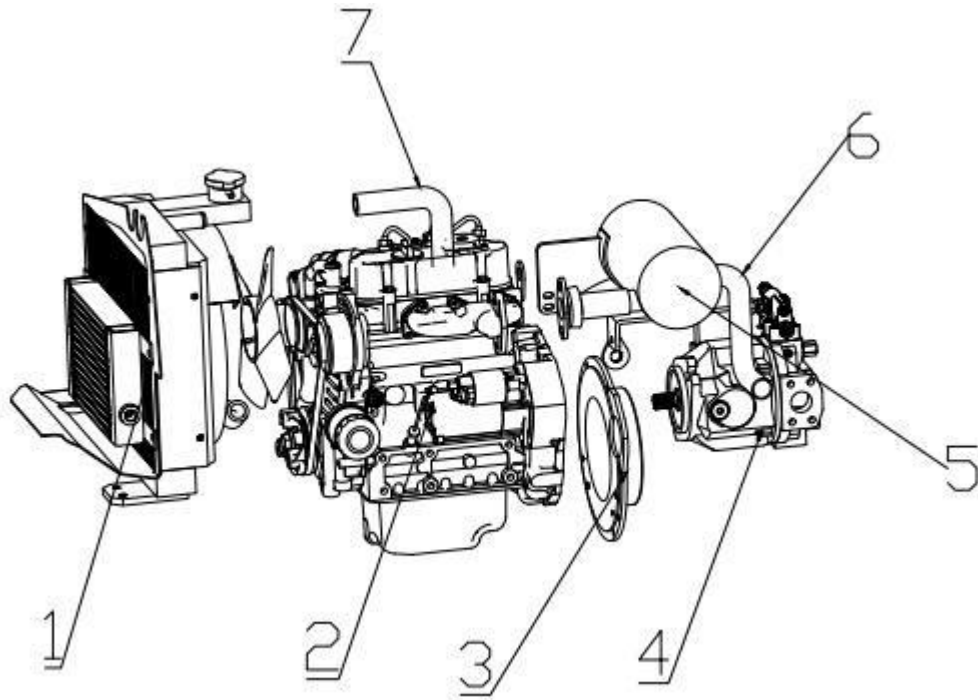
REF No.	Part No.	Part Name	Quantity	
1	LP0101030043	Multi-way valve	1	
2	LP0112011023	Boom support	1	
3	LP0107021345	Boom cylinder fixing pin	1	
4	LP0115040010	Plastic diesel tank	1	
5	LP0115040073	Plastic hydraulic oil tank	1	
6	LP119020036	Piston pump engine assembly	1	
7	LP111020035	Kubota engine shock absorber	4	
8	LP0102030008	Swing motor	1	
9	LP0106010004	Battery	1	
10	LP0111050005	Pressure filter	1	

3.2



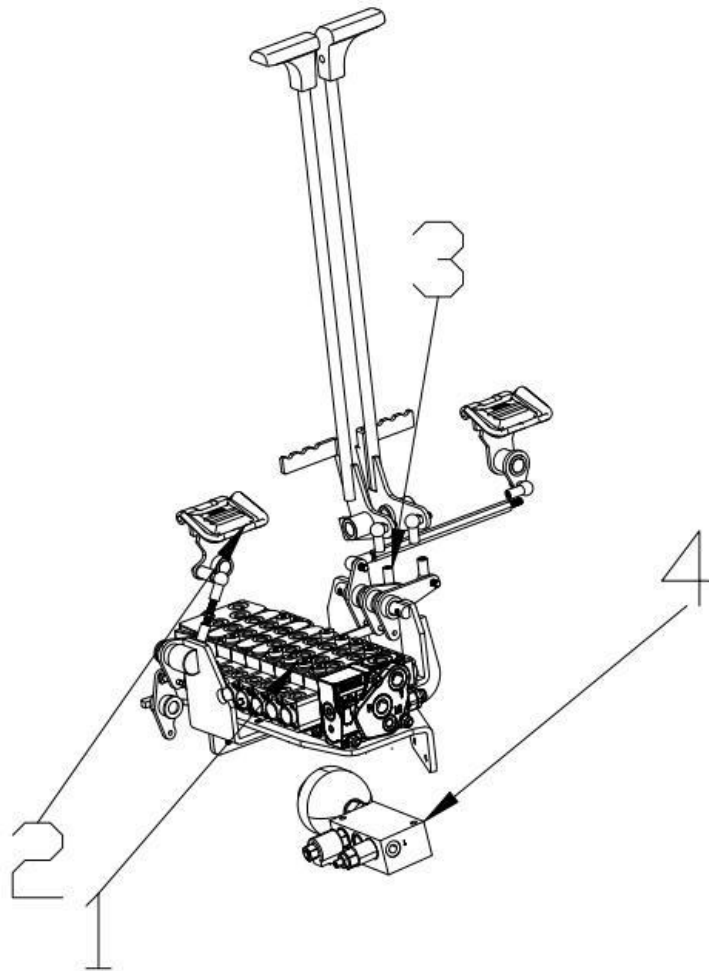
REF No.	Part No.	Part Name	Quantity	Remarks
1	LP0111020089	Oil-water separator	1	
2	LP0111020081	Electronic fuel pump	1	
3	LP0111020082	Coarse filtration	1	
4	LP0115030005	Pilot left handle	1	
5	LP0115030006	Pilot right handle	1	
6	LP0111080127	Shock-absorbing pads	2	
7	LP0115030046	Air Filter	1	
8	LP0111020090	Diesel filter	1	
9	LP0111080035	kettle	1	

3.3



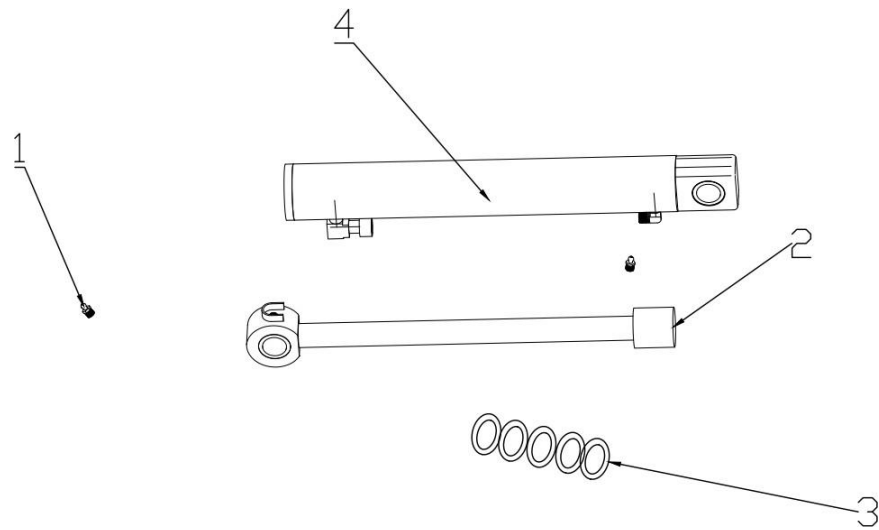
REF No.	Part No.	Part Name	Quantity	Remarks
1	LP0110020012	heat sink	1	
2	LP0103020002	Kubota Engine	1	
3	LP0102010020	Bell jar	1	
4	LP0101020002	Plunger pump	1	
5	LP0110020012	Muffler	1	
6	LP0114010025	Muffler tail pipe	1	
7	LP0113010007	Complete set of rubber hose	1	

3.4



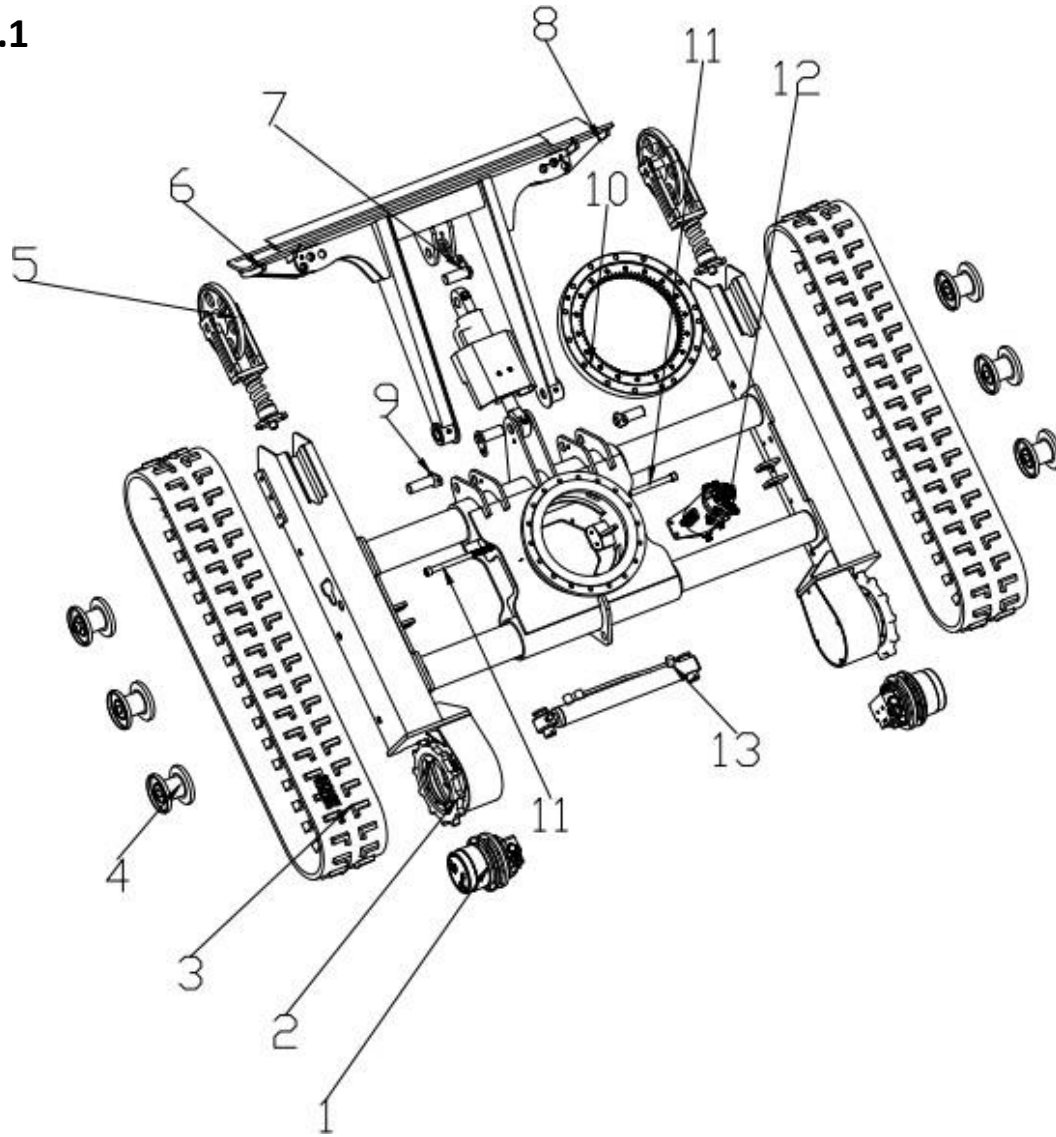
REF No.	Part No.	Part Name	Quantity	Remarks
1	LP0101030043	Multi-way valve	1	
2	LP0111080081	Foot valve	2	
3	LP0107010240	Complete set of hinge machining	1	
4	LP0115030017	Solenoid oil source valve	1	

3.5



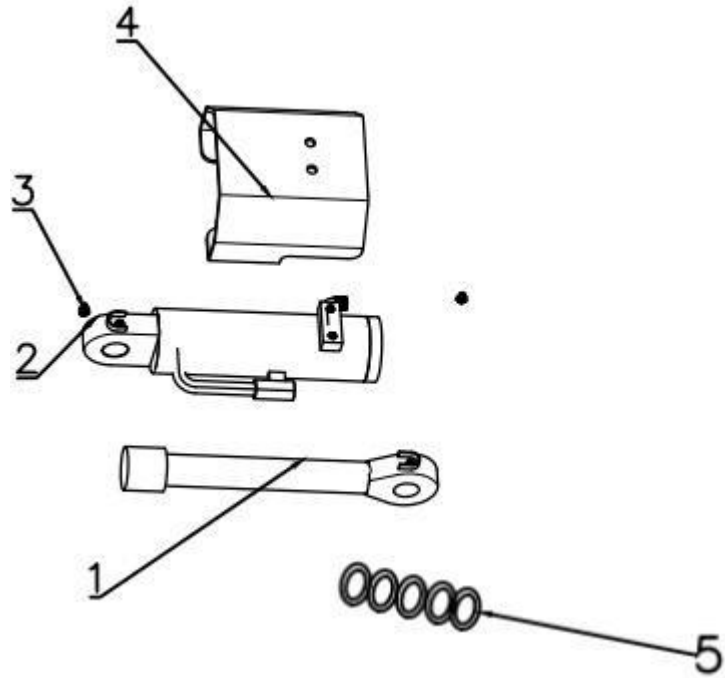
REF No.	Part No.	Part Name	Quantity	Remarks
1	LP0116010092	Grease fitting	2	
2	LP0115010127	Side swing cylinder rod	1	
3	LP0116030493	Deflection cylinder seal	1	
4	LP0115010128	Side swing cylinder body	1	

4.1



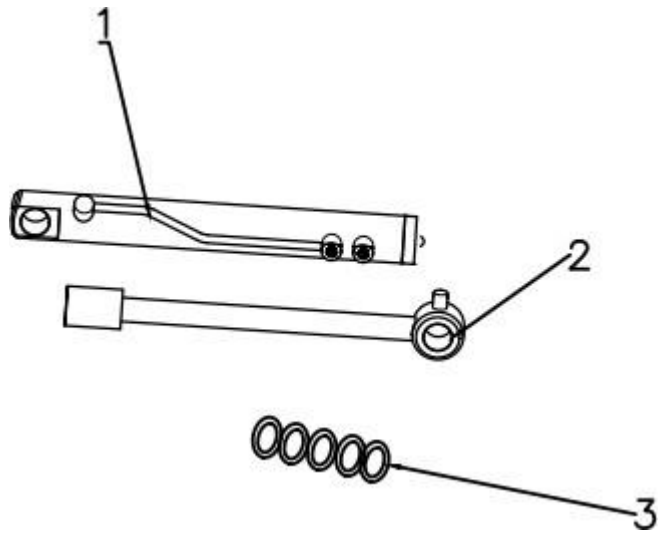
REF No.	Part No.	Part Name	Q/TY	Remarks
1	LP0112011134	Telescopic side swing internal motor	2	
2	LP0102090005	Driving gear	2	
3	LP0102110004	Rubber Tracks	2	
4	LP0102060001	Track roller	6	
5	LP0102070008	Tensioner	2	
6	LP0112013075	Widened bulldozer blade-left	1	
7	LP0107021377	Bulldozer cylinder fixed	2	
8	LP0112013076	Widened bulldozer blade-right	1	
9	LP0107021349	Bulldozer fixed shaft	2	
10	LP0102040003	Central slewing support	1	
11	LP0116011191	Hexagon socket screw	4	
12	LP0102050002	Central swivel joint	1	
13	LP0115010032	Telescopic cylinder	1	

3.2 Bulldozer cylinder



REF No.	Part No.	Part Name	Quantity	Remarks
1	LP0116010092	Grease fitting	2	
2	LP0115010129	Cylinder body	1	
3	LP0115010130	Cylinder rod	1	
4	LP0116030494	Piston Group	1	
5	LP0109011620	Bulldozer cylinder guard	1	

4.3 Hydraulic cylinder with extension



REF No.	Part No.	Part Name	Quantity	Remarks
1	LP0115010125	Cylinder body	1	
2	LP0115010126	Cylinder rod	1	
3	LP0116030492	Piston ring set	1	

